

**TATA INSTITUTE OF FUNDAMENTAL RESEARCH**

Autonomous Institution of the Department of Atomic Energy, Government of India  
HOMI BHABHA ROAD, NAVY NAGAR, COLABA, MUMBAI - 400 005.  
E-mail: deepak.baghele@tifr.res.in, akshata@tifr.res.in, bhavana.g@tifr.res.in  
Website www.tifr.res.in

**Ref : TIFR/PD/CM19-107/190928**

**October 9, 2019**

NIT Cum Tender Document ( One Part Limited) for the following item:

**Polycarbonate Button Spacer as per attached drawing -- 1,00,000/- Qty**

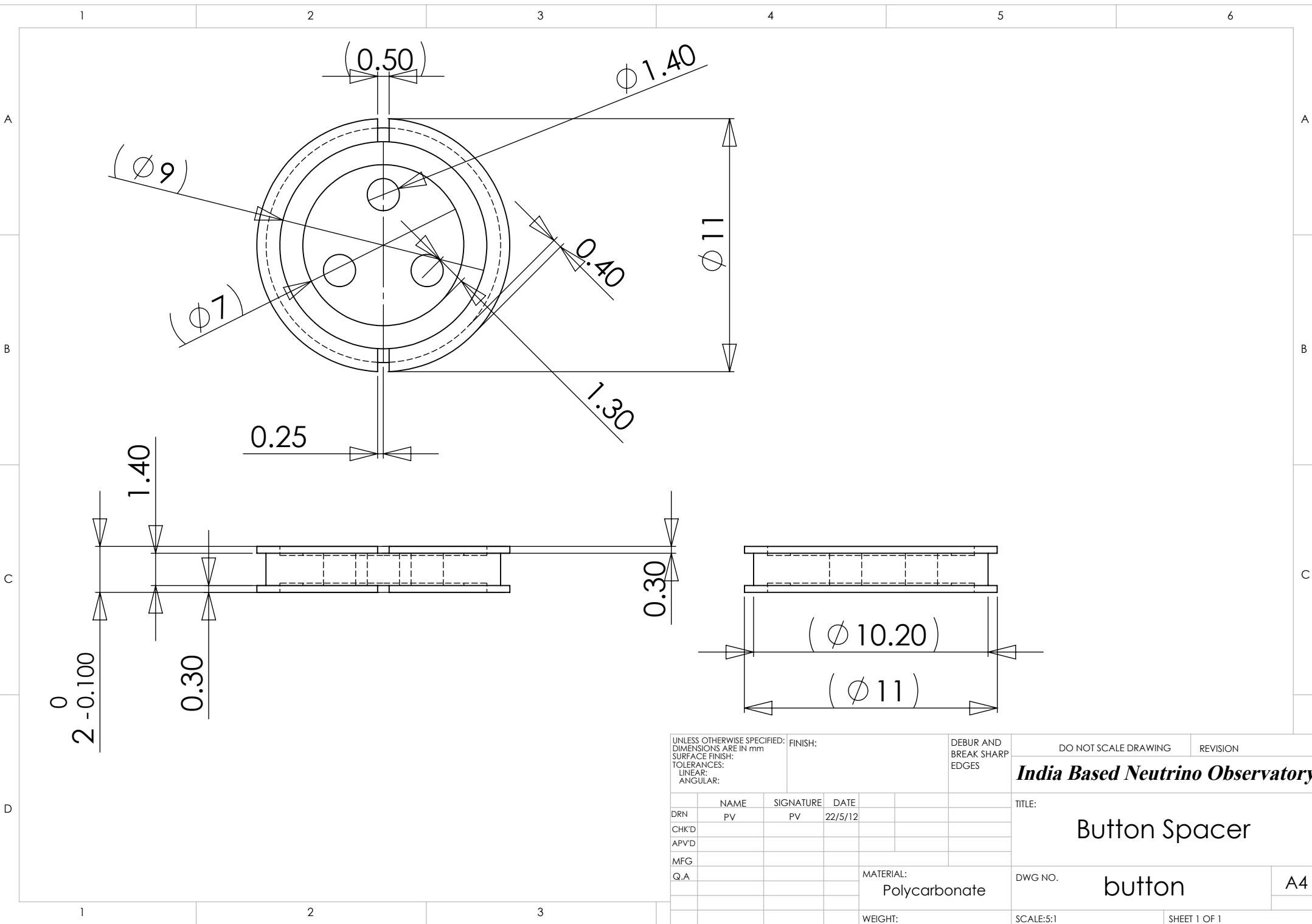
Note:-

- 1) The mould for Button Spacer is at TIFR, Mumbai. The interested party may inspect the mould before sending the quotation.
- 2) The party getting the order will produce some sample pieces for checking by INO project engineers. The final production will be done only after the go ahead from INO project engineers.

Tender No.	<b>TIFR/PD/CM19-107/190928</b>
Estimate Cost	Rs. 8,00,000
Type of Tender	One Part Limited Tender
Date of Publishing	09.10.2019
Last Date for Submission of Tender	30.10.2019 on or before 17.30 hours
Date of Opening Bids	31.10.2019 at 15.00 Hour

Tender should be submitted in sealed envelope superscribed with the Tender No., Due Date in Bold Letters.

Please see attached sheet for conditions of tender.



UNLESS OTHERWISE SPECIFIED:  
 DIMENSIONS ARE IN mm  
 SURFACE FINISH:  
 TOLERANCES:  
 LINEAR:  
 ANGULAR:

DRN	NAME	SIGNATURE	DATE
	PV	PV	22/5/12
CHK'D			
APVD			
MFG			
Q.A			

DO NOT SCALE DRAWING		REVISION
<b>India Based Neutrino Observatory</b>		
TITLE: <b>Button Spacer</b>		
DWG NO.	<b>button</b>	<b>A4</b>
SCALE:5:1	SHEET 1 OF 1	

MATERIAL:  
Polycarbonate

WEIGHT:

# TATA INSTITUTE OF FUNDAMENTAL RESEARCH

Autonomous Institution of the Department of Atomic Energy, Government of India  
HOMI BHABHA ROAD, NAVY NAGAR, COLABA, MUMBAI - 400 005.

## Terms and Conditions

1. The Quotation shall be submitted in a sealed envelope duly superscribed with the tender enquiry number, and the due date in bold letters, addressed to the Admn. Officer ( Purchase) Tata Institute of Fundamental Research, Homi Bhabha Road, Colaba, Mumbai - 400005. The envelopes should be clearly marked on top as the Tender Enquiry No., Due Date in bold letters. The sealed envelope has to be delivered by hand / courier at the Security Gate Officer of TIFR on or before on the date specified. Tenders submitted after last date will not be considered.
2. After downloading the documents please inform your company details such as name, address, telephone nos., contact person and email address etc. by email to us. ( deepak.badhele@tifr.res.in, akshata@tifr.res.in, bhavana.g@tifr.res. in) to enable us to inform prospective bidder for any corrigendum/changes if any; in the Tender document before due date.
3. In case the quotation is not sealed in the envelope the tender will be rejected.
4. Quotation must be valid for a period of 90 days from the due date.
5. Tenders containing correction, overwriting will not be considered. Late or delayed/ Unsolicited quotations/offers shall not be considered at all. These will be returned to the firms as it is. Post tender revisions/corrections shall also not be considered.
6. Tenderer should sign on all the pages of the bid.
7. Tenders who do not comply with any of the conditions are liable to be rejected.
8. In case of any interpretational issues in this tender, the interpretational decision of the TIFR shall be Final binding on the bidder.
9. TIFR reserve the right to ask for or to provide any clarification, changes after the release of this tender.
10. The Institute shall be under no obligation to accept the lowest or any other tender received in response to this tender notice and shall be entitled to reject any tender without assigning any reason whatsoever.
12. TIFR reserve the right to place the order for part/reduced quantity than what is specified in the tender.
- 13. The Supplier shall arrange to deliver the ordered materials within the mutually agreed delivery period mentioned in the order unless extended with/ without penalty.**
  - a) In case of delay in supply on the part of the supplier, a penalty @ 0.5 % per week of order value will be charged for delayed period subject to maximum of 10 % of order value.

b) The same rate of penalty shall be applicable for late installation of the equipment/ instrument also.

**14. Our standard Payment terms are as follows :**

The payment will be made only after delivery of the supply, satisfactory installation commissioning and performance of the item/equipment at TIFR Mumbai and after certification by our technical expert/ Authorized officer.

15. No Advance payment will be made to any local supplier except in case of furnishing valid Bank Guarantee from any nationalized/ scheduled bank and the B. G. shall be valid till the complete delivery is made at the site. Delivery period should be specifically stated and earlier deliver may be preferred.

16. Specifications are basic essence of the product. It must be ensured that the offers must be strictly as per our specifications. At the same time it must be kept in mind that merely copying our specifications in the quotation shall not make the parties eligible for consideration of the quoted model of the item by the quoting party/manufacturer.

**17. Price must be quoted in the " Price Bid " Format attached herewith.**

18. All terms and conditions are subject to standard terms of the public tender documents of TIFR as available on website.

Administrative Officer  
( Purchase Section)  
TIFR, Mumbai

TIFR Enquiry No & Date: \_\_\_\_\_

Due date: \_\_\_\_\_

Bidder's Quotation Ref No. & Date: \_\_\_\_\_

Bidder's GST Registration No.: \_\_\_\_\_

Price / Financial Bid ( Bidders must quote their rates using this Format )

Sr. No.	Item Description	Make/Brand/Type	HSN Code	Qty.	Basic rate per unit	Item wise GST %	Total Cost including GST (In INR)
	Freight/Transportation charges, if any						
	Service/Labour charges, if any						
	Any Other charges						
	Less : Buyback, if any						
	<b>Total landed cost in Figures &amp; words including GST</b>						
	Delivery Period						
	Waranty Period						
	Validity of Quote						
	Payment Terms						

**Note:**

1. All the cloumn should be appropriately filled and not left blank, any duty/tax/ charges not applicable, then please specify as " Not Applicable"
2. Do not include any other charges, taxes, duties etc. in the Basic Cost of the item,
3. Any accessories, optional items should be shown seperately.
4. Other Technical & Commercial details shall be furnished in a separate sheet.
5. Use separate sheet for detail description,specification of the item,but prices should be quoted in same format.

**Signature of the Bidder**

Name, Address, Contact No.  
& Email id of the Bidder/Company  
with company's stamp or seal

\_\_\_\_\_  
\_\_\_\_\_  
\_\_\_\_\_

**Date:** \_\_\_\_\_

**Place:** \_\_\_\_\_